

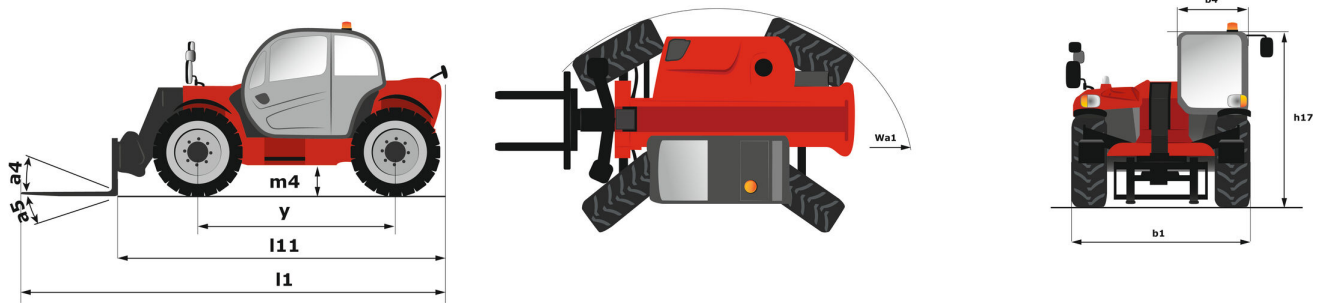
Technical sheet :

MT 1335

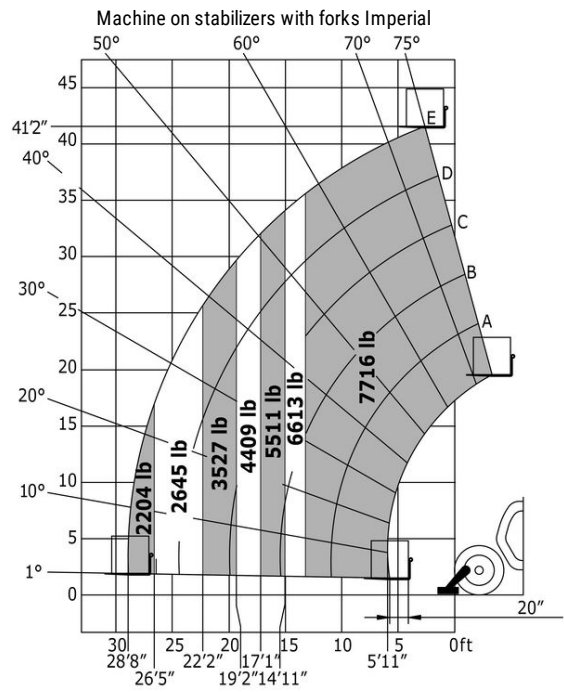
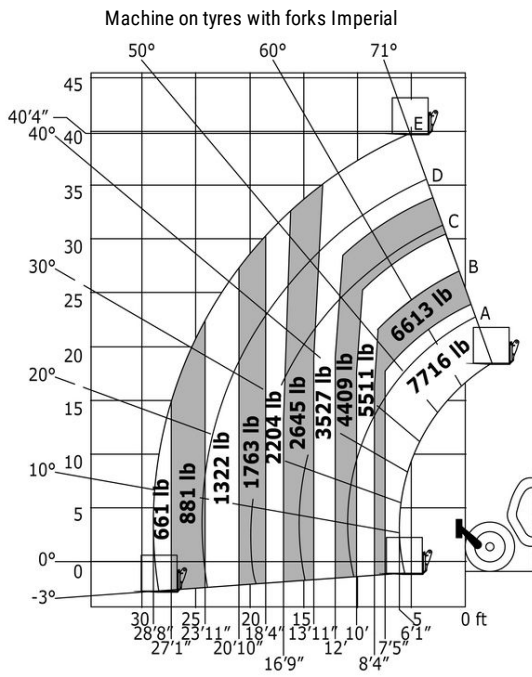


Capacities		Imperial
Max. capacity		7716.17 lbs
Max. lifting height		41 ft 2.09 in
Max. Reach		28 ft 8.48 in
Breakout force with bucket		5803 daN
Weight and dimensions		
Overall length to carriage	l11	19 ft 2.70 in
Overall width	b1	7 ft 3 in
Overall height	h17	7 ft 11.27 in
Wheelbase	y	9 ft 5.38 in
Ground clearance	m4	1 ft 4.14 in
Overall cab width	b4	2 ft 10.64 in
Tilt-up angle	a4	12 °
Tilt-down angle	a5	114 °
External turning radius (over tyres)	Wa1	11 ft 11.70 in
Unladen weight (with forks)		20502.99 lbs
Tyres type		Pneumatic
Standard tyres		Alliance 400/80 - 24 - 162A8
Forks length / width / section	l / e / s	3 ft 11.24 in x 3 ft 4.94 in / 1.77 in
Performances		
Lifting		10.20 s
Lowering		8.90 s
Extension		14.60 s
Retraction		10.40 s
Crowd		5 s
Dump		4 s
Engine		
Engine brand		Perkins
Engine norm		Stage IV
Engine model		854E-34TA
Number of cylinders / Capacity of cylinders		4 - 207.48 in ³
I.C. Engine power rating - Power (kW)		100 Hp / 75 kW
Max. torque / Engine rotation		430 Nm @ 1400 rpm
Drawbar pull (Laden)		9800 daN
Transmission		
Transmission type		Torque Converter
Number of gears (forward / reverse)		4 / 4
Max. travel speed		15.47 mph
Parking brake		Automatic parking brake
Service brake		Oil-immersed multi-discs braking on front & rear axles
Hydraulics		
Hydraulic pump type		Gear pump
Hydraulic flow / Pressure		125 l/min / 3916.01 PSI
Tank capacities		
Engine oil		1.98 US gal
Hydraulic oil		36.98 US gal
Fuel tank		31.70 US gal
DEF tank capacity		3.17 US gal
Noise and vibration		
Noise at driving position (LpA)		78 dB(A)
Noise to environment (LwA)		103 dB(A)
Vibration on hands/arms		< 2.50 m/s ²
Miscellaneous		
Steering wheels (front / rear)		2 / 2
Drive wheels (front / rear)		2 / 2
Safety / Safety cab homologation		Standard EN 15000 / ROPS - FOPS cab (level 2)
Controls		JSM

Dimensional drawing



Load chart





Siège Social

430 rue de l'Aubinière - 44150 Ancenis Cedex - France

Tel: +33(0)2 40 09 10 11 - Fax: +33 (0)2 40 09 10 97

www.manitou.com



This brochure describes versions and configuration options for Manitou products which may be fitted with different equipment. The equipment described in this brochure may be standard, optional or not available depending on version. Manitou reserves the right to change the specifications shown and described at any time and without prior warning. The manufacturer is not liable for the specifications given. For more information, contact your Manitou dealer. Non-contractual document. Product descriptions may differ from actual products. List of specifications is not comprehensive. The logos and visual identity of the company are the property of Manitou and may not be used without authorisation. All rights reserved. The photos and diagrams contained in this brochure are provided for information only.

MANITOU BF SA - Limited company with board of directors - Share capital: 39,668,399 euros - 857 802 508 RCS Nantes